

AVR 400

The Excel AVR400 is a stylish and effective luminaire suited to a wide range of applications including offices, hotels, homes etc.

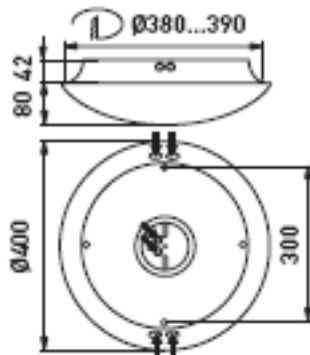
The luminaires are suitable for use in both wet and dry conditions.

The body is manufactured from white polycarbonate and the diffuser from opal polycarbonate.

The AVR aesthetics can be altered via the fitting of our polycarbonate or steel decor rings which are available as Options.

The AVR400 is the largest in Excel's three size selection comprising of the AVR254 and AVR300.

- IP44
- Emergency versions available
- PIR versions also available (see PIR section)



<u>Code</u>	<u>Lamp</u>	<u>Description</u>
AVR 400	100W E27	GLS version
AVR400.28	1x28W TC-DD	28W 2D c/w conventional gear
AVR400.28E	1x28W TC-DD	28W 2D c/w high frequency gear
AVR400.28H	1x28W TC-DD	28W 2D c/w electronic starter
AVR400.38E	1x38W TC-DD	38W 2D c/w high frequency gear
AVR400.18E	2x18W TC-L	2x18W c/w high frequency gear
EC400/28W3M	1x28W TC-DD	Emergency version of AVR400.28 - Maintained 180 lumens
EC400/38W3M	1x38W TC-DD	38W 2D Maintained
EC400/18W3M	2x18W TC-L	2x18W Maintained-one lamp operational on emergency

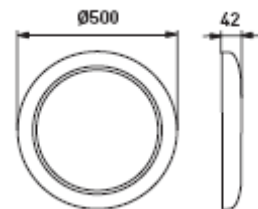


White
AVL50

Black
AVL50.1

Antique Silver
AVL 40.2

Steel
AVL50.3



AVR400 Recessed using Excel's clip system

