

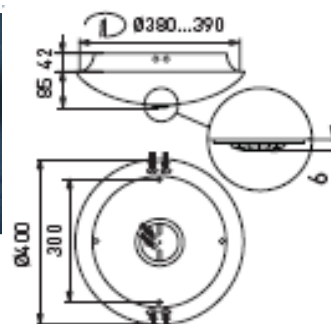
AVR 400 PIR

AVR 400 PIR– luminaires are stylish and effective luminaires for receptions, offices, hotel rooms and also have many uses around the home. Luminaires are suitable for both wet and dry spaces indoors and outdoors.

The housing is made of white polycarbonate and diffuser of opal polycarbonate.

The polycarbonate and steel décor rings enable the luminaire to adapt to various types of interiors.

Emergency versions are also available.



Code

Description

AVR400PIR sensor luminaires with electronic control gear

AVR400.218E 2x18W TC-L/2G11 230/240V 50/60Hz

AVR400.418/94E 2x18W TC-L/2G11+ 2x9W TC-E 230/240V 50/60Hz

AVR400 PIR with electronic ballast and a relay for controlling the On/Off light levels also through a separate 230V power supply

AVR400.218ER 2x18W TC-L/2G11 230V 50Hz

AVR400 PIR sensor luminaires with 1-10V dimmable electronic control gear. Basic light level 5% and PIR controlled light level 100%

AVR400.218DIM 2x18W TC-L/2G11 230/240V 50/60Hz

AVR400 PIR sensor luminaire with electronic control gear. Equipped with an extra 2G7 lamp holder for separate security package

AVR400.018/97E 2x18W TC-L/2G11+ 9 TC-E/2G7 230/240V 50/60Hz + 2G7

AVR400 polycarbonate decor rings

AVL52 White

AVL52/AL Aluminium

AVL54 Steel

AVR400 decor rings galvanised pulvercoated steel

AVL50 White

AVL50.1 Black

AVL50.2 Antique Silver

AVL50.3 Steel

AVR400PIR Spare parts

AVV400.1 Diffuser for AVR400 luminaires