

DANLERS

Controls for Lighting & HVAC

CEFL PIR (PIR occupancy switches)

Ceiling flush-mounted PIR switch.

These neat and unobtrusive models are ideal for flush mounting through suspended or plasterboard ceilings.



Order code:
CEFL PIR

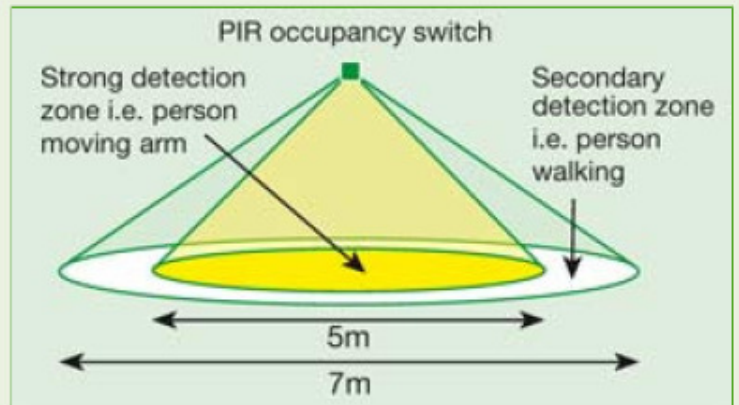
Specification

Detection zone:	360°
Time lag range:	10 seconds to 40 minutes in 9 steps
Photocell range:	100 to 1000 lux, and inactive
Loading:	up to 6 amps (1500W) of any type of load (including fluorescent lights and fans)
Dimensions (mm):	72 diameter x 68

Detection diagrams

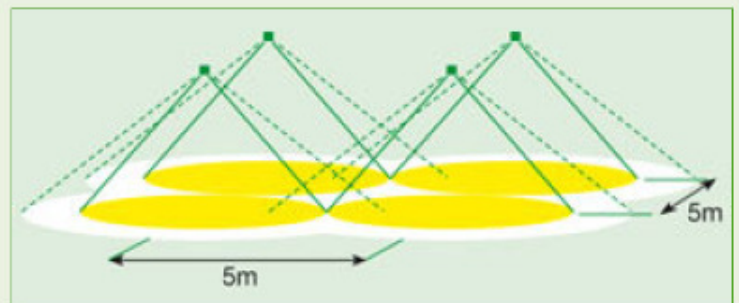
Ceiling mounted PIR occupancy switch

Recommended mounting height between 2.2 and 5m



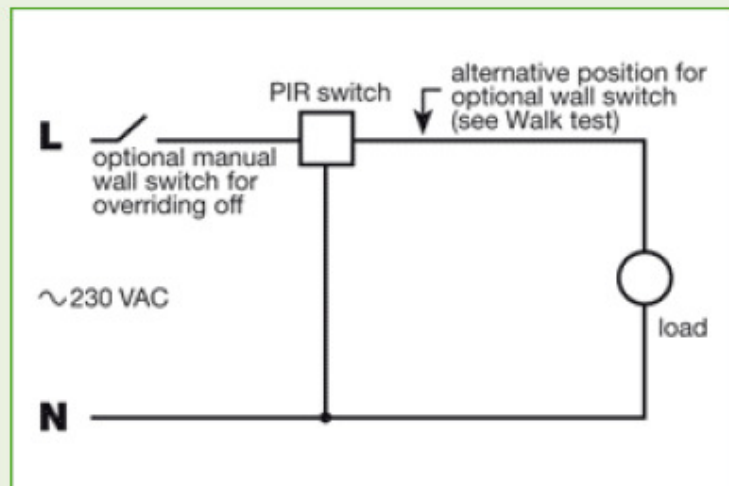
Several PIR occupancy switches

In open plan areas. For best coverage the PIR occupancy switches should be spaced every 5m in either direction

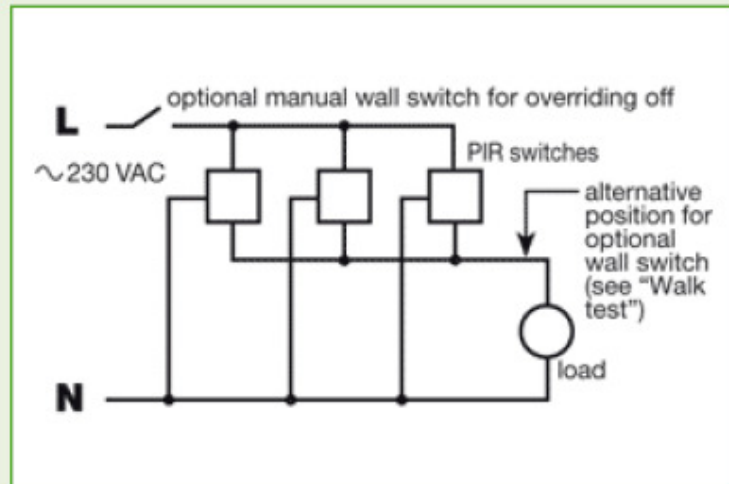


Wiring diagrams

Single CEFL PIR



A few CEFL PIR wired in parallel



Walk test

When the mains supply is initially connected to the PIR occupancy switch it goes through its Walk test. This means it switches on for about 1 minute, then switches off and enters its automatic mode. If a manual wall switch is feeding the PIR occupancy switch then it will go through the Walk test each time the wall switch is switched on. By wiring the manual wall switch in the alternative position, the supply to the PIR occupancy switch is uninterrupted and it remains in automatic mode. It does not go through its Walk test each time the wall switch is switched on.

Dimensions (in mm)

Requires 63 or 64mm (2.5") diameter hole in a false or plasterboard ceiling

