



Excel exit box

Description

The Excel Exit Box is a popular all-purpose robust Metal Exit Sign designed with a clear and concise directional purpose for occupants, as well as ease of installation for the client.

It is manufactured from sheet steel, with a powder coated white finish or with brass and chrome covers. Internally it features a removable gear tray that assists with its installation. The flat silk-screened Exit legend is made from flame resistant polycarbonate and the model also consists of two downward illumination windows, also in polycarbonate, with the purpose of illuminating the door handles or safety exit mechanisms.

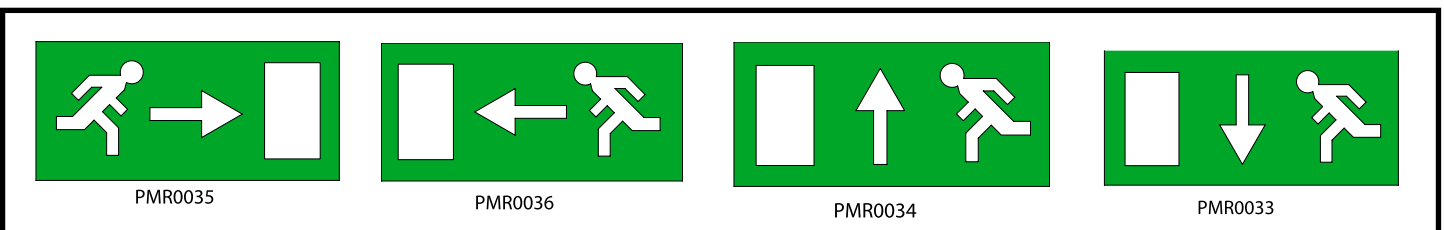
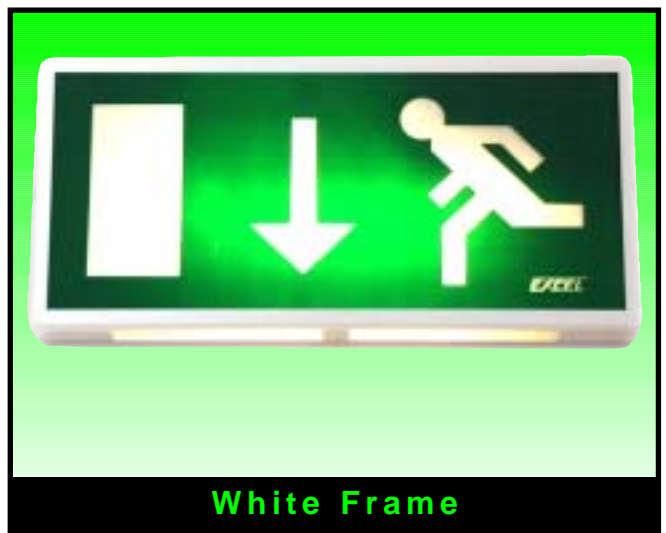
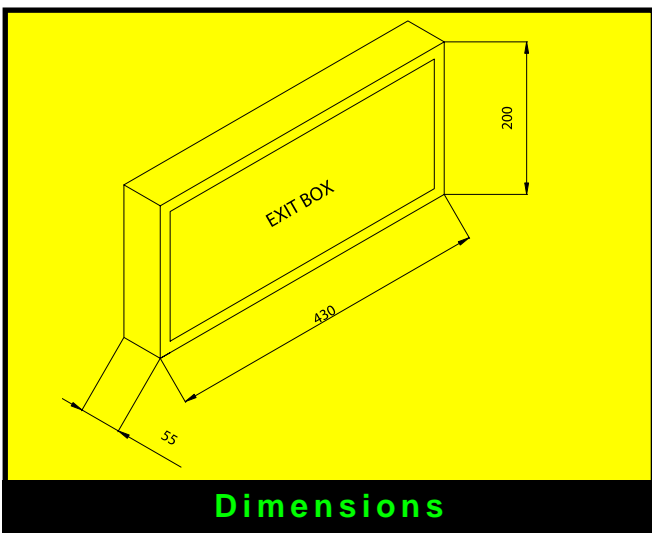
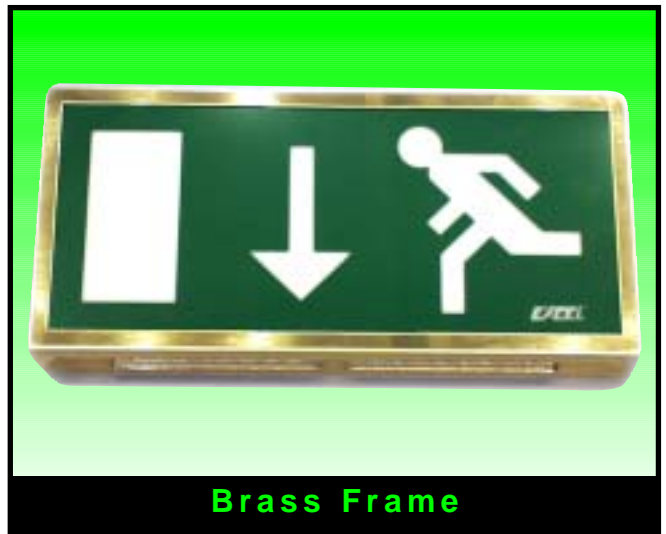
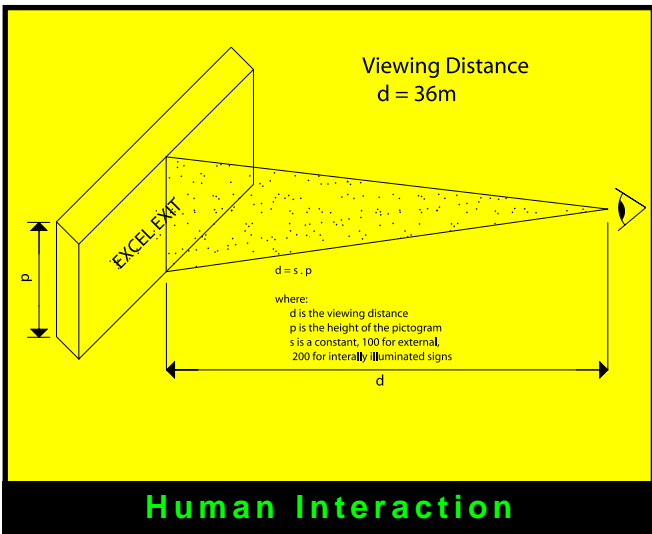
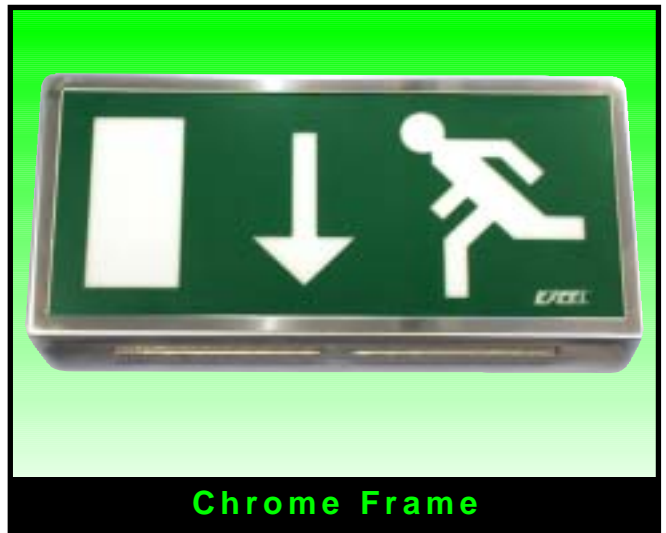
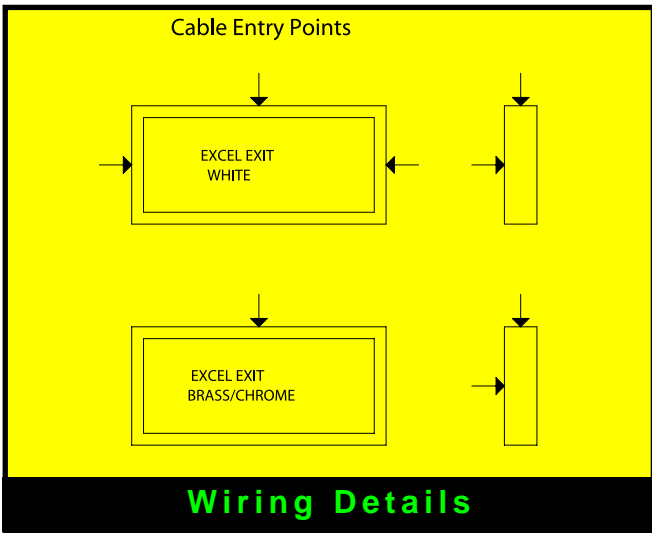
All Exit Box signs are available with an 8 Watt lamp, and can consist of a 2 cell battery with an output of 100 lumens, or a 3 cell battery with an output of 180 lumens respectively. If desired, the unit is also available with the Self Test system which automatically tests the product to ensure it is in proper working order.

Product Specifications

CODE →	EX2/S	EX2/NM	EX3/S	EX3/NM	EX2/SB	EX2/SC	EX2/S ST
Unit Mode	Sustained	Non - Maintained	Sustained / Maintained	Non - Maintained	Sustained	Sustained	Sustained
Lamp Type	8 Watt	8 Watt	8 Watt	8 Watt	8 Watt	8 Watt	8 Watt
Lamp Output Emergency	100 Lumens	100 Lumens	180 Lumens	180 Lumens	100 Lumens	100 Lumens	100 Lumens
Battery Type	2.4V Nickel Cadmium	2.4V Nickel Cadmium	3.6V Nickel Cadmium	3.6V Nickel Cadmium	2.4V Nickel Cadmium	2.4V Nickel Cadmium	2.4V Nickel Cadmium
Duration	3 Hours	3 Hours	3 Hours	3 Hours	3 Hours	3 Hours	3 Hours
Cable Entry	Rear, Sides & Top	Rear, Sides & Top	Rear, Sides & Top	Rear, Sides & Top	Rear & Top	Rear & Top	Rear, Sides & Top
Weight	2.7kg	2.3kg	2.9kg	2.5kg	2.7kg	2.7kg	2.7kg
Dimension	430 x 200 x 55 mm	430 x 200 x 55 mm	430 x 200 x 55 mm	430 x 200 x 55 mm	430 x 200 x 55 mm	430 x 200 x 55 mm	430 x 200 x 55 mm

The **Excel Exit Box** can be provided with Self Test control gear. For more information on this and all the Self Test System products please refer to the Self test specification sheet.





• **Excel Lighting, The Arantex Building, Spiddal, Co. Galway •**
 Tel. (091) 553300 Fax. (091) 553373 Email. excellight@eircom.net
 • **Excel Group, Bluebell Avenue, Dublin 12 •**
 Tel. (01) 4500600 Fax. (01) 4602178 Email. sales@excelelectric.ie