



Kyro is designed to provide a high level professional solution to meet the requirements of modern public area and road / street lighting

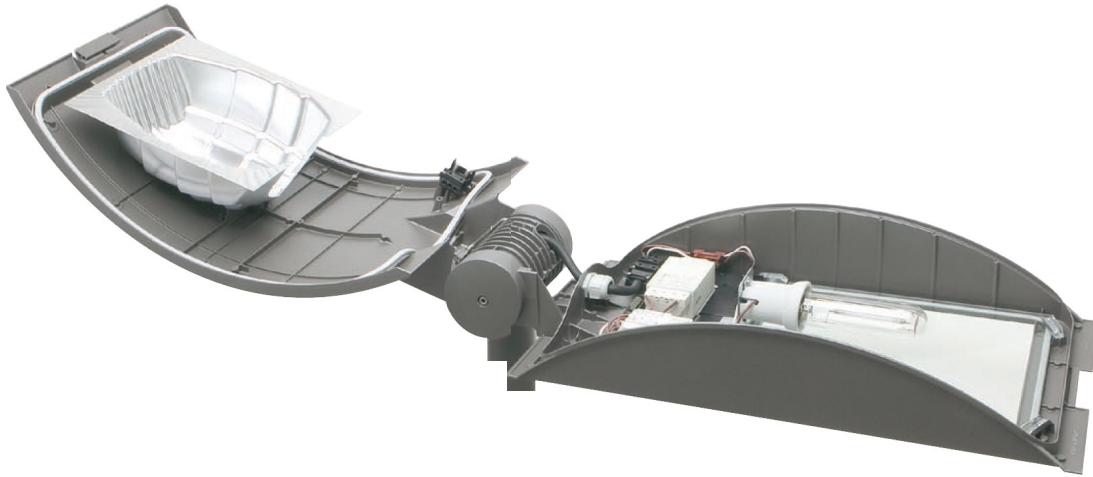
High uniformity distribution and high performance with visual comfort, full cut-off for zero upward light pollution.

High performance optics provides efficient luminaire spacing with the added benefit of reduction in installation and maintenance costs.

The Kyro's compact and contemporary design is complimented by its architecturally designed and functional mounting accessories. The option for customised colours provides individuality for corporate identity, city centres, main streets, town squares, commercial complex, car parks and industrial parks.



MATERIALS



Body and cover in die-cast aluminium finished RAL 7039 classified IP65 rating.

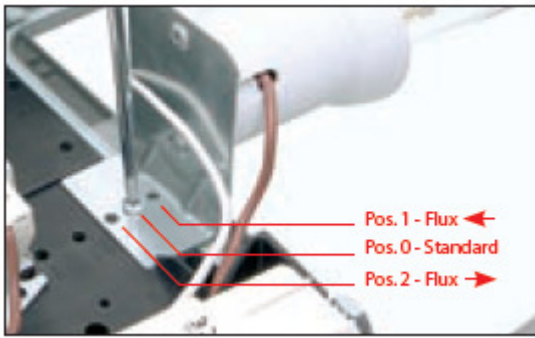
High purity aluminium reflector anodised and polished.

Toughened safety glass (Kyro 1 : IK 09/12J, Kyro 2: IK 08/8J).

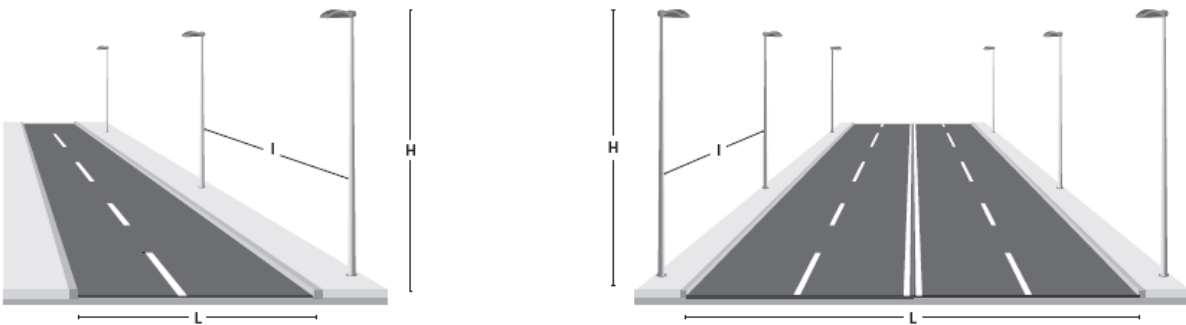
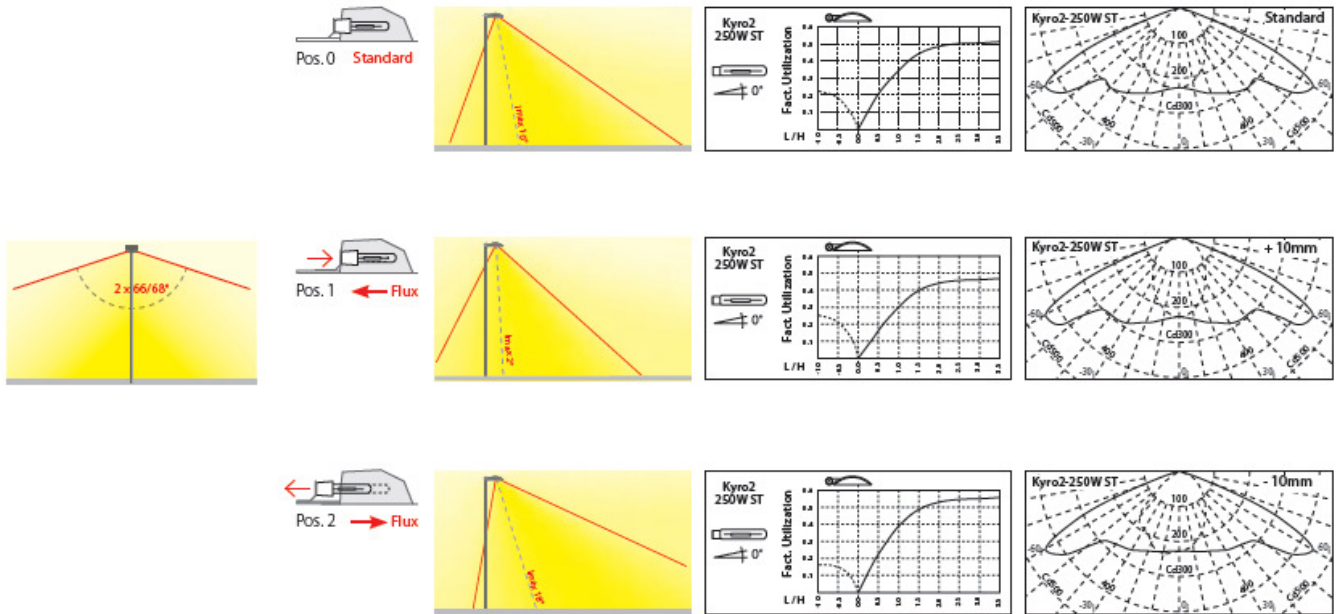
Silicone rubber anti-aging gaskets.
Dual power ballast with light flux regulation control system and photocell sensors available on demand.

Polyamide M25 cable gland for Ø9-14mm cables

Rubber sealing gaskets to suit various cable sizes are available as a kit of accessories.



Adjustable lamp positioning provides forward or backward distribution to the luminous flux.

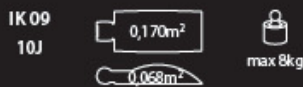
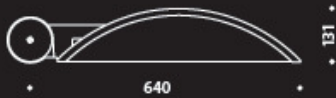


KYRO 1	H	I	L	Tab	Lm	U0	U1	Ti	Em	Mf	Tilt
70W ST	6	20	6	C2	1,1	0,52	0,77	6,52	18	0,80	0°
100W ME	7	24	6	C2	0,8	0,61	0,71	3,46	14	0,80	0°
140W MT	8	30	8	C2	1,2	0,59	0,70	6,21	21	0,80	0°
150W ST	8	30	8	C2	1,2	0,50	0,72	6,78	22	0,80	0°
KYRO 2											
150W ST	8	30	8	C2	1,5	0,50	0,71	5,68	24	0,80	0°
250W ST	10	37	9	C2	1,7	0,52	0,70	5,09	30	0,80	0°
400W ST	12	48	10	C2	2,0	0,57	0,70	5,29	35	0,80	0°

KYRO 2	H	I	L	Tab	Lm	U0	U1	Ti	Em	Mf	Tilt
150W ST	10	38	14	C2	1,3	0,71	0,65	4,36	22	0,80	0°
250W ST	11	42	14	C2	2,1	0,69	0,70	5,95	36	0,80	0°
400W ST	12	46	14	C2	3,3	0,73	0,70	4,58	60	0,80	0°

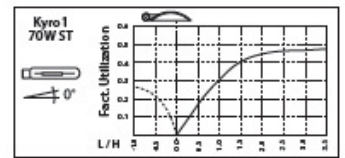
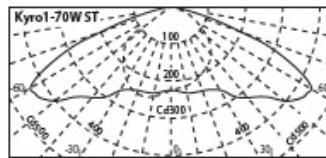
Energy saving: possibility of increased luminaire spacing, whilst complying with design regulations, and use of high efficacy light sources (high lumen / watt) offer reduced installation and operating costs. Dual power ballast with light regulation control system during night time operation offer further energy saving.

KYRO 1



Ral 7039 96 Per lampade tubolari - Pour lampes tubulaires - Tubular lamps

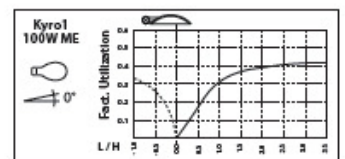
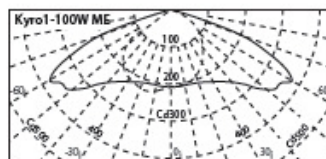
05214496	50W	E27	ST-MT		NAV-T/SON-T/ CDO-TT
05214596	70W	E27	ST-MT		NAV-T/SON-T/ CDO-TT
05214696	100W	E40	ST-MT		NAV-T/SON-T/ CDO-TT
05214796	150W	E40	ST-MT		NAV-T/SON-T/ CDO-TT



Ral 7039 96 Per lampade ellissoidali - Pour lampes ellipsoïdales - Elliptical lamps

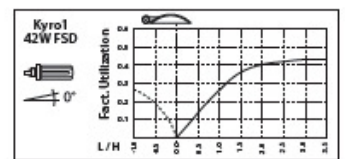
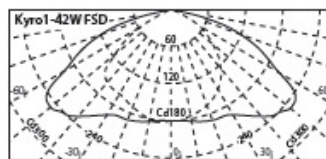
05216196	70W	E27	SE		NAV-E/SON
05214896	70W	E27	ME		HQ-E / HQ-E Clear / CDO-ET
05214996	100W	E27	ME		HQ-E / HQ-E Clear
05215096	150W	E27	ME		HQ-E / HQ-E Clear

Lampade con accenditore incorporato.
Lampes à amorceur incorporé.
For lamps with integral ignitor.



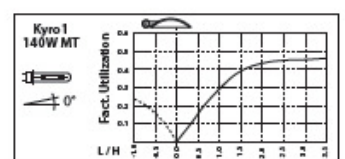
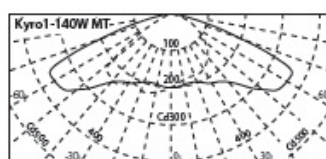
Ral 7039 96 Per lampade fluorescenti - Pour lampes fluo-compactes - Compact-fluorescent

05215196	26W	GX24q-3	FSM		DULUX-DE / PLC-4p
	32W	GX24q-3	FSM		DULUX-TE / PLT 4p
	42W	GX24q-4	FSM		DULUX-TE / PLT-4p
05215296	57W	GX24q-5	FSM		DULUX-TE / PLT-4p



Ral 7039 96 Per lampade - Pour lampes - for lamps : Philips CosmoWhite

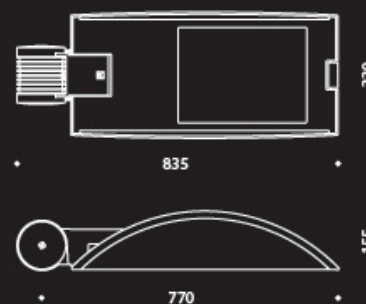
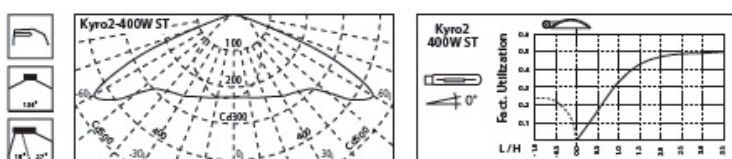
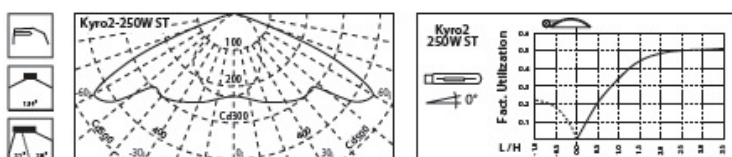
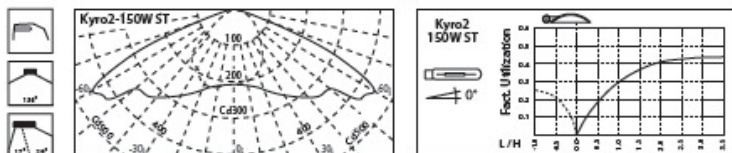
05215396	60W	PGZ12	MT		MASTER CPO-T White
05215496	140W	PGZ12	MT		MASTER CPO-T White



KYRO 2

Ref 703996 Per lampade tubolari - Pour lampes tubulaires - Tubular lamps

05213996	150W	E40	ST-MT	NAV-T /SON-T /CDO-TT
05214096	250W	E40	ST-MT	NAV-T /SON-T /HQI-T /CDO-TT
05214196	400W	E40	ST-MT	NAV-T /SON-T /HQI-BT



ST - MT
150-400W

MOUNTING ACCESSORIES

14077596 A0398-96 (Kyro 1)
14077696 A0399-96 (Kyro 2)



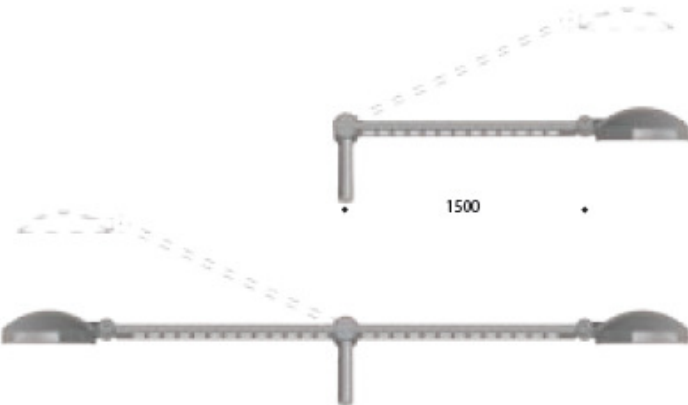
Wall mounting bracket L=310mm (Kyro1) and L=370mm (Kyro2), in phospho-chromate and cataphoresis pre-treated steel finished RAL 7039 polyester painted.



14077102 A0395/1
14077202 A0395/2



Single 1200mm or twin (back to back) 2x1200mm extension arms, hot dipped galvanised steel, suitable for pole top installation on Ø60mm poles.



14077396 A0396/1-96
14077496 A0396/2-96

Single 1500mm or twin (back to back) 2x1500mm extension arms, phospho-chromate and cataphoresis pre-treated steel finished RAL 7039 polyester painted. Aluminium pole top mounting joint suitable for Ø60 (with sleeve) or Ø76mm poles, available in horizontal or 25° inclined position.



14082096 A0397/1-96

850mm steel extension arm finished RAL 7039 complete with horizontally adjustable sliding aluminium pole clamp for Ø76-90mm poles.



14081902 A0406/02

Hot dipped galvanised steel bracket suitable for Ø80-200mm poles fixed by 2 x M8 bolts (not supplied) requires poles to be drilled.



14082196 A0407/1
 14082296 A0407/2 - 180°
 14082396 A0407/3 - 120°

2000mm extension arms in hot dipped galvanised tubular steel with aluminium joints finished RAL7039 available as single, twin 180°, or three 120° mounting options on Ø60-90mm poles.



ACCESSORIES



14025220 A0247 / 70W - ST
 14015020 A0219 / 100-250W - ST
 14078520 A0403 / 400W - ST



14078120 A0402 / 2A 50-70-100W
 14078220 A0402 / 4A 150W
 14078320 A0402 / 6A 250W
 14078420 A0402 / 10A 400W

Supplement for factory fitted timed ignitor, to be ordered as a separate item along with fitting, according to specific lamp version.

Supplement for factory fitted fuse holder + ceramic fuse 10x38mm, to be ordered as a separate item along with fitting, according to specific lamp version.



14077820 A0400 - 2 x Ø8mm

Kit of 10 rubber sealing gaskets for up to 2 no. Ø8mm cables.

14077920 A0401 - 19x5.8

Kit of 10 rubber sealing gasket for 1 no. flat cable 19x5.8mm.



14078620 A0404

Supplement for factory fitted photocell (250W max. non-adjustable), to be ordered as a separate item along with fitting.