



LYN is a range of small LED recessed uplighter fittings designed to take the load and impact from motor vehicles. Ideal as accent and directional walkway lighting, creating dramatic effects, in gardens parks and public areas. LYN are made from high quality materials with precision finishing and attention to design, which makes them suitable for a variety of both indoor and outdoor applications in the most prestigious of projects. The LED source offers very low glass surface temperatures, high visibility, very low energy consumption, long life and a maintenance free installation for many years.

The LYN range offers two basic versions, from which there are several options:
Lyn4 - Traditional circular shape.
LYN23 - Distinctive rectangular shape.

Convento - Ugnano - Italy



Excel Works, Bluebell Avenue, Dublin 12. Phone: 01 4500 600 Fax: 01 4602 178 email: sales@excelelectric.ie
 The Arantex Building, An Spidéal, Co. Galway. Phone: 091 553300 Fax: 091 553373 email: lighting@excelelectric.ie
www.excelelectric.ie

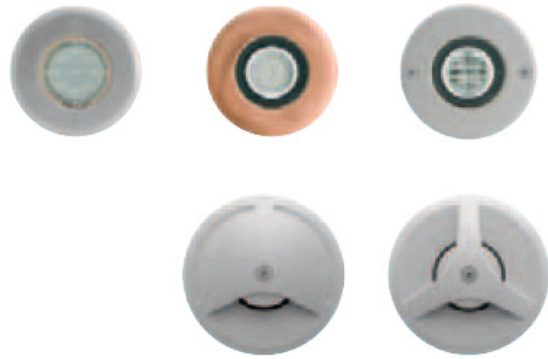
LYN4 are available in two versions 'Top-LED' and 'Side-LED'.

LYN4T'Top-LED' upward light distribution is available in the following options:

LYN4-T: 9 x diffused LED's available as white, blue, yellow, red or green colour.

LYN4-T/HP: 1 x 32W high powered narrow beam LED available as white or blue colour.

LYN4-T/RGB: Complete with multi-chip LED and colour changing device providing rainbow, cold colour and warm colour options.



LYN4 'Top-LED' are available with a choice of cover rings;

Stainless steel, copper, or aluminium finished RAL 9006 silver grey.

Stainless steel is the most suitable for a variety of environments and gives a contemporary finish to the application, where as copper provides warmth and charm which blends with natural materials.



LYN4-S 'Side-LED'

Cover cap manufactured from pre-treated die-cast aluminium with single or three slotted opening side distribution.

Available as white, blue or yellow colour LED's.

LYN4-S/120°: 3 x LED's single slotted opening 120° light distribution, adjustable on the horizontal plane.

LYN4-S/360°: 9 x LED's three slotted opening 360° light distribution.



LYN4 TopLED /I /Cu /AL



04	50	94	Signalling LED.	
06001204	06003250	06001394	○	White
06001404	06003350	06001594	●	Blue
06001604	06003450	06001794	●	Yellow
06001804	06003550	06001994	●	Red
06002004	06003650	06002194	●	Green

9LED 120° 24V CC - 1,5W tot.



Lyn4 "Top-LED" 9 x LED's must be fed with an extra low voltage 24V DC stabilized supply. Electronic transformers are available as accessories: 10W (A0220/10) and 40W (A0220/40) for installation in a suitably enclosed location. Alternatively transformers are available supplied within an IP67 recessed box (A0221/10 -A0221/40).

LYN4 TopLED HP /I /Cu /AL



04	50	94	High Power LED.	
06011004	06011250	06011494	○	White
06011104	06011350	06011594	●	Blue

Blanco
Azul
1LED 6° 700mA - 3,2W



LYN4 T / HP must be fed with an extra low voltage 700mA DC, stabilised supply. Electronic transformers are available as accessories: 15W (A0376/15) 220-240V, 50/60Hz for installation in a suitably enclosed location. Alternatively transformers are available supplied within an IP67 recessed box (A0377/15).

LYN4 TopLED HP-INT /I /Cu /AL



04	50	94	High Power LED + narrow lens.	
06012304	06012550	06012794	○	White
06012404	06012650	06012894	●	Blue

Blanco
Azul
1LED 350mA - 3,2W



LYN4 T / HP - INT complete with narrow beam lens and high powered 1 x 3.2W LED adjustable $\pm 3^\circ$ x 360° . Must be fed with an extra low voltage 350mA 48V DC stabilized supply. Electronic transformers are available as accessories: 15W (A0376/15) 220-240V, 50/60Hz for installation in a suitably enclosed location. Alternatively transformers are available supplied within an IP67 recessed box (A0377/15).

ACCESSORIES



14015420 A0220/10
14015520 A0220/40
Electronic 10W or 40W transformer; 220-240V 50/60Hz AC supply – output 24V DC extra low voltage stabilized supply, mounted on a galvanised steel support for LYN4 T or S.



14071720 A0376/15W - 700mA
14071520 A0374/15W - 350mA
Electronic 15W/700mA CC or 15W/350mA CC transformer; 220-240V 50/60Hz AC supply, mounted on a galvanised steel support.



14015620 A0221/10
14015720 A0221/40
Electronic 10W or 40W transformer; 95-240V 50/60Hz AC supply – output 24V DC extra low voltage stabilized supply, mounted in an IP67 technopolymer box with stainless steel cover suitable for recessed installation. PG 13.5 cable gland suitable for Ø6-10mm cable and Ø25mm sheath.



14071820 A0377/15W - 700mA
14071620 A0375/15W - 350mA
Electronic 15W/700mA CC or 15W/350mA CC transformer; 220-240V 50/60Hz AC supply, mounted in an IP67 black technopolymer box with stainless steel cover, suitable for recessed installation. Cable gland suitable for Ø6-10mm cable and Ø25mm sheath.



14015820 A0222
H05RN-F 2x1mm² supply cable sold and supplied in 1 metre units.

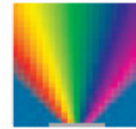
LYN4 TopLED HP - RGB / I / Cu / AL

04 50 94
06011604 06011750 06011894

Colour changing multi-LED

1 RGB (3 x 45°)

350mA - 3,6W tot.



LYN4-T/RGB same construction as LYN4T but available with multi-chip LED RGB colour changing device accessory, providing three colour changing programs; rainbow (70 sec. cycle), cold colours (50 sec. cycle) and warm colour (50 sec. cycle). Single colour fixed is also possible.

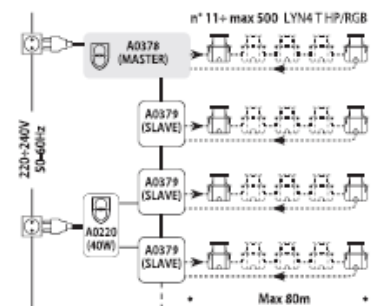
LYN4-T/RGB complete with 3x1.2W colour changing multi-chip LED which must be fed by an RGB supply and control unit (Master). Connection between Master unit and fitting should be made using our recommended cable accessory A0380.

Master unit (A0378), comprising transformer and control unit, are to be ordered together with fittings and should be installed in a suitably enclosed location up to a maximum of 80m from the fitting. The Master unit can supply up to 10 fittings with a maximum of 5 being controllable. To allow control of more than 5 fittings A0379 Slave unit is required to operate up to a further maximum of 5 fittings

- A0379: Slave unit suitable to operate a maximum of 5 additional fittings. Slave units are controlled via the Master unit.
- A0220/40: Electronic 40W transformer, for supply up to a maximum of 10 fittings.

Installation guide to number of Master and Slave unit required based on fitting quantity. Connection should be made using our recommended cable accessory A0380.

- Operating 1 up to a max 5 fittings: one master unit A0378
- Operating 6 up to a max 10 fittings: one master unit A0378 + one slave unit A0379
- Operating 11 up to a max 500 fittings: one master unit A0378 + A0379 'qty' slave units + A0220/40 'qty' Transformer.
 $A0379 \text{ 'qty'} = ((n^{\circ} \text{ fittings} - 5) \text{ rounding up to nearest } 5) \div 5$
 $A0220/40 \text{ 'qty'} = ((n^{\circ} \text{ fittings} - 10) \text{ rounding up to nearest } 10) \div 10$



ACCESSORIES

14071920 A0378

Supply and control unit for LYN4 T/RGB including 40W transformer 220-240V 50/60Hz AC - 24V DC (max. 10 fittings) and MASTER colour changing unit (max. 5 fittings).

14072020 A0379

LYN4 T/RGB additional (SLAVE) colour changing unit (max. 5 fittings). SLAVE units are controlled by MASTER unit.

14072120 A0380

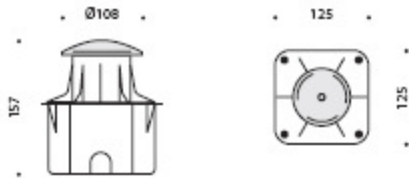
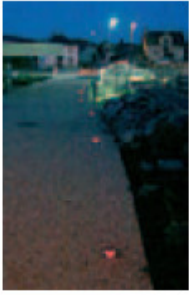
S05RN-F 3x1mm² x RGB cable sold and supplied in 1 metre units. (to + from).

14072220 A0381

Infrared remote control for colour changing MASTER unit.



Excel Works, Bluebell Avenue, Dublin 12. Phone: 01 4500 600 Fax: 01 4602 178 email: sales@excelelectric.ie
 The Arantex Building, An Spidéal, Co. Galway. Phone: 091 553300 Fax: 091 553373 email: lighting@excelelectric.ie
 www.excelelectric.ie



Specification

LYN4-S-120°-AL version complete with 3 x LED's (total 0.5W)
LYN4-S-360°-AL version complete with 9 x LED's (total 1.5W)
Both versions must be fed with extra low voltage 24V DC stabilized supply. Transformers must be ordered separately.

- Cover cap manufactured from die cast aluminium alloy chromate pre-treated finished polyester coated RAL 9006. Available as single slotted opening 120° or three slotted opening 360° light distribution.
- Polycarbonate clear UV stabilised LED cover.
- Technopolymer body and outer recessing enclosure with high resistance to corrosion resistance from chemical substances, hydrolysis, and temperature extremes.
- All fittings are supplied complete with two IP68 anti-tearing cable glands and one stopping plug for single or through wiring connection.
- Anti-ageing silicone gasket.
- Stainless steel external fixing screws.

LYN4 Side-LED V1-UL 94 auto-extinguishing 960°C glow wire test resistant material version is available on request